

West Bengal State Electricity Distribution Company Ltd.



WBSEDCL

(A Government of West Bengal Enterprise)

Office of The Divisional Manager: Ghatal Division.

Ward No: 11; Ghatal; Nischindipur; Paschim Medinipur

Telephone No: 03225-255-382; email-dmghatal@gmail.com

CIN No: U40109WB2007SGC113473

NIT No: DM/GDD/E-TENDER/18/26-27/ 603

Dated: 29.05.2026

NAME OF THE SCHEME: Supply & delivery of 50 no's LT DISTRIBUTION KIOSK FOR 100KVA TRNF(SMC/FRP) as per standard specification of WBSEDCL.

Tender is invited by the Divisional Manager, Ghatal Division, WBSEDCL, Paschim Medinipur-721212 through electronic tendering (e-tendering) from manufacturers/Distributors for supply & delivery of the following item as per schedule detailed below:

SI no.	Description of Item	Unit	Qty	Estimated Cost	Earnest Money	Delivery time
1	LT DISTRIBUTION KIOSK FOR 100 KVA TRNF(SMC/FRP)	NOS	50	₹4,16,650/-	2%of Estimated Cost (₹ 8,333/-)	20 days from the issuance of P.O

Scope: - The materials are procured for Ghatal Division. The supply of the materials will be directly at Ghatal Divisional Store. Necessary Challan, E-Way Bills are to be provided at Ghatal Divisional Store Intending bidders desirous of participating in the tender are to log on to the website <https://wbtenders.gov.in> for the tender. The tender can be searched by typing WBSEDCL in the search Engine provided in the website.

Sl. No.	Particulars	Date & Time
01.	Date of uploading of N.I.T and Tender Documents (online). [Publishing date]	05.06.2026 at 10:00 hrs
02.	Documents download start date (online)	06.06.2026 at 10:00 hrs
03.	Date of Pre-bid meeting to be held at Ghatal Division Office, WBSEDCL. Ghatal, Paschim Medinipur, 721212.	08.06.2026 at 10:00 hrs
04.	Bid Submission start date (online)	08.06.2026 at 12:00 hrs
05.	Last date of online submission of Technical Bid and Financial Bid.	12.06.2026 up to 17:00 hrs
06.	Opening of Technical Bid at the Ghatal Division Office, WBSEDCL. Ghatal, Paschim Medinipur, 721212.	15.06.2026 at 10:00 hrs
07.	Opening of Financial Bid for technically qualified bidders at the Ghatal Division Office, WBSEDCL. Ghatal, Paschim Medinipur, 721212.	Will be intimated later
08.	Validity of Offer	180 days w.e.f the date of opening of financial bid.
09.	Completion period of the Work	20 days
10.	Maintenance Period or the Defect Liability period	12(Twelve)months from the date of completion of works.
11.	Financial Bid	Rate shall be quoted in item rates in the BOQ.
12.	Online Bid Submission	The bidders are required to submit the Technical and Financial Bid documents through only

Registered Office: "Vidyut Bhavan", Bidhannagar, Block-DJ, Sector-II, Kolkata-700 091
Website: www.wbsedcl.in

West Bengal State Electricity Distribution Company Ltd.



WBSEDCL

(A Government of West Bengal Enterprise)

Office of The Divisional Manager: Ghatal Division.

Ward No: 11; Ghatal; Nischindipur; Paschim Medinipur

Telephone No: 03225-255-382; email-dmghatal@gmail.com

CIN No: U40109WB2007SGC113473

documents complete in
all respect by maintaining
the online Bid submission
procedure through the
Website
www.wbtenders.gov.in

Bidders willing to take part in rite process of c-rendering ore required to obtain Digital Signature Certificate (DSC) in the name of person who will sign the tender, from any authorized Certifying Authority(CA) under CCA, Govt. of India (viz. nCode Solution, Safes crypt, e-Mudra). DSC is given as a USB e-Token. After obtaining the Digital Signature Certificate (DSC) from the approved Certifying Authority

they are required to register the fact of possessing the Digital Signature Certificates through the registration system available in the Website.

Tenders are to be submitted online and intending bidders arc to download the tender documents from the website stated above. This is the only mode of collection of Tender documents.

Terms & Condition of the tender notice:

1. The bidder shall submit **along with the offer** necessary documents of their previous supply. Of the items of the tender to WBSEDCL/WBSETCL/GovL/PSU in earlier. Occasions and financial capabilities to the extent of the estimated financial amount of their offer.
2. No agent is allowed to participate in the Tender.
3. WBSEDCL reserves its right to take decision keeping its financial interest. The purchase policy of WBSEDCL along with the provisions of Vendor rating & Holiday listing as effect from 01.09.2012 and the subsequent amendment effective from 18.03.2013 will be applicable.
4. If the offer is submitted without or inadequate Earnest Money, the bid will not be opened. In case of incomplete offer, the tender will be liable for rejection and Earnest Money Deposit will be forfeited.
5. **One-unit sample to be submitted to the Ghatal Divisional Store at their (bidder) own cost within the closing date of the Tender. The Tag with the sample should be contain the name of the sample as well as the name of the Vendor/Bidder. For a valid tender, sample has to be approved by the Divisional Authority. The approval or rejection of sample will be communicated via mail/electronically subsequently. The technical evaluation of the bidder, whose sample is not approved, will not be opened & henceforth they will be deemed disqualified. Rejected samples can be taken away. After the P.O is awarded, the awardees can adjust the sample with the delivered material lot & the remaining materials can be taken back by the respective bidders.**
6. The offer shall remain valid for a minimum period of 180 days from the next day of opening of the tender.
7. The quoted rates should be inclusive of all taxes & duties, freight and incidental charges. The quoted rate should be excluding G ST charges. GST will be paid as applicable.
8. The necessary documents along with bill are to be submitted at Ghatal Divisional Office. The SRV will be issued from Ghatal Divisional Store. WBSEDCL.
9. At the time of placing purchase order, the quantity mentioned in the Tender document may vary up to +/- 25%.
10. Any evidence of unfair Trade Practices including over charging, price fixings, cartel etc. as defined in various statutes will automatically disqualify the bidders.
11. The company reserves the right to accept or reject any or all the tenders without assigning any reason whatsoever.
12. Any bidder against whom FI R/Complaint is lodged with Police by WBSEDCL/Other Utility /Govt. Semi Govt.

Registered Office: "Vidyut Bhavan", Bidhannagar, Block-DJ, Sector-II, Kolkata-700 091
Website: www.wbsedcl.in

West Bengal State Electricity Distribution Company Ltd.



WBSEDCL

(A Government of West Bengal Enterprise)

Office of The Divisional Manager: Ghatal Division.

Ward No: 11; Ghatal; Nischindipur; Paschim Medinipur

Telephone No: 03225-255-382; email-dmghatal@gmail.com

CIN No: U40109WB2007SGC113473

or Govt. Undertaking Dept. shall not be eligible to participate in the bidding process.

13. Other information as well as terms and conditions, which are not covered above, will be available in Instructions to Bidders, General Conditions of Contract of this tender and the Revised Purchase Policy of WBSEDCL.

14. TERMS OF PAYMENT:

- a. 90% payment of bill will be made as per availability of fund in respect of submission of bill against original receipted Challan/Invoice signed by the Store-in-Charge attached to the respective Store, if applicable and
- b. Balance 10% payment will be made after expiry of warranty period, if applicable.

15. **WARRANTY PERIOD:** Warranty period of supplied material will be one year from date of delivery of the said materials. In case of any adverse report from store or defect found in site, materials have to be replaced or it would affect the vendor rating.

16. **PAYING AUTHORITY:** The Manager(F&A), Ghatal Division, WBSEDCL will be the paying authority.

17. **SUPERVISING OFFICER:** The Divisional Engineer(Tech.), Ghatal Division.

18. **CONSIGNEE:** The Store-In-Charge, Ghatal Divisional Store, WBSEDCL.

19. No mobilization / secured advance will be allowed.

20. **LIQUIDATED DAMAGE FOR DE LAY IN DELIVERY:** The time of delivery (successful offer for inspection) of the equipment/materials are to be treated as an essence of the contract and the WBSEDCL reserves the right to repudiate the contract, if the equipment / materials are not physically delivered within stipulated period as per physical delivery clause, but WBSEDCL may at his discretion waive this condition and accept the material with imposition of liquidated damage @ 1/2% of the Value of the materials beyond the schedule delivery period for each week of delay Subject to maximum of 5% of the particular lot and accepted the goods beyond the stipulated period.

21. Any further information along with WBSEDCL's Revised Purchase Policy may be had from the Website: www.wbsedcl.in.

22. The specifications of the item: As per specification mentioned in BOQ / Drawing.

23. The FINANCIAL OFFER of the prospective bidders will be considered only if the TECHNICAL DOCUMENT of the bidders found qualified by the Tender Inviting Authority(WBSEDCL). The decision of the Tender Inviting Authority (WBSEDCL) will be final and absolute in this respect. The list of Responsive and Non- Responsive Bidders will be displayed in the website.

24. Eligibility criteria for participation in the tender:

- a. **Technical Requirement:** - Bonafide, experienced & resourceful contractors of Govt., Semi Govt., Govt. undertaking Organizations, Govt. Enterprises, Other Licensee of States, etc. who is technically qualified

Registered Office: "Vidyut Bhavan", Bidhannagar, Block-DJ, Sector-II, Kolkata-700 091

Website: www.wbsedcl.in

West Bengal State Electricity Distribution Company Ltd.



(A Government of West Bengal Enterprise)

Office of The Divisional Manager: Ghatal Division.

Ward No: 11; Ghatal; Nischindipur; Paschim Medinipur

Telephone No: 03225-255-382; email-dmghatal@gmail.com

CIN No: U40109WB2007SGC113473

& have successfully completed similar nature of work having value as below mentioned manner:

CONTENT	CREDENTIAL SUBMITTED	REMARKS
Single Supporting contract	Credential must be provided 80% against total quoted value during last five years	Strictly followed terms and conditions
Double Supporting contract	Credential must be provided 50% against total quoted value during last five years	Strictly followed terms and conditions
Triple Supporting contract	Credential must be provided 40% against total quoted value during last five years	Strictly followed terms and conditions

- b. Commercial Requirement: - a) Average annual turnover during last three years. b) Copy of IT return along with related acknowledgement for last three years.
- c. All intending bidders are required to also produce the following: -
- Valid copies of GST Registration.
 - Copy of IT return acknowledgement for last three financial years, PAN Card, as applicable.
 - Trade Licence.
 - Documents in support of credential: Copy of orders & Completion Certificate.
 - Performance Certificate as Prime Contractor for execution of similar nature of works for last Seven and details of works in hand.
 - Information regarding any past and current litigation with WBSEDCL/ WBSETCL/ Govt./ PSU in which the bidder is involved, the party is concerned and disputed amount, wherever applicable.
25. Bids shall remain valid for a period not less than 180 (One hundred Eighty) days after date of bid opening of tender. Bid valid for a shorter period shall be rejected by the Tender Inviting Authority as non-responsive. If the bidders withdraw the bid before the period of bid validity without giving any satisfactory explanation for such withdrawals, the Bid security as deposited will be forfeited forthwith without assigning any reason thereof.
26. Receiving of Earnest Money Deposit (EMD):- The amount of Earnest money as given is to be submitted through ONLINE process.
27. Return of Earnest Money of unsuccessful bidder(s):- The Earnest Money of all the unsuccessful bidder(s) deposited along with the Tenders will be refunded as per norms and without any interest.
28. Conditional/Incomplete tender shall not be accepted under any circumstances.
29. Canvassing in connection with the tender is strictly prohibited. At any stage during scrutiny, if it is found that the credential or any other paper which time bidder has uploaded or submitted is found incorrect/manufactured/ fabricated, that bid will be considered as non-responsive and outright rejected with forfeiture of Bid Security and action will be taken as per Rule.

Registered Office: "Vidyut Bhavan", Bidhannagar, Block-DJ, Sector-II, Kolkata-700 091
Website: www.wbsedcl.in

West Bengal State Electricity Distribution Company Ltd.



WBSEDCL

(A Government of West Bengal Enterprise)

Office of The Divisional Manager: Ghatal Division.

Ward No: 11; Ghatal; Nischindipur; Paschim Medinipur

Telephone No: 03225-255-382; email-dmghatal@gmail.com

CIN No: U40109WB2007SGC113473

30. The Tender Inviting Authority (WBSEDCL) does not bind itself to accept the lowest bidder and reserves the right to accept or reject, split any / all offer without assigning any reason whatsoever and is not liable for any cost that might have incurred by the Bidder at any stage of the Bidding. Tender inviting Authority (WBSEDCL) also reserves right to accept/cancel/withdraw the concerned NIT in full or part due to unavoidable circumstances and no claim in this respect shall be entertained.

31. All correspondences with regard to above shall be the following address: -

Ghatal Division
WBSEDCL
Ghatal, Nischindipur
Paschim Medinipur-721212

Tender Inviting Authority (For WBSEDCL):-

S. Saha
29.05.26

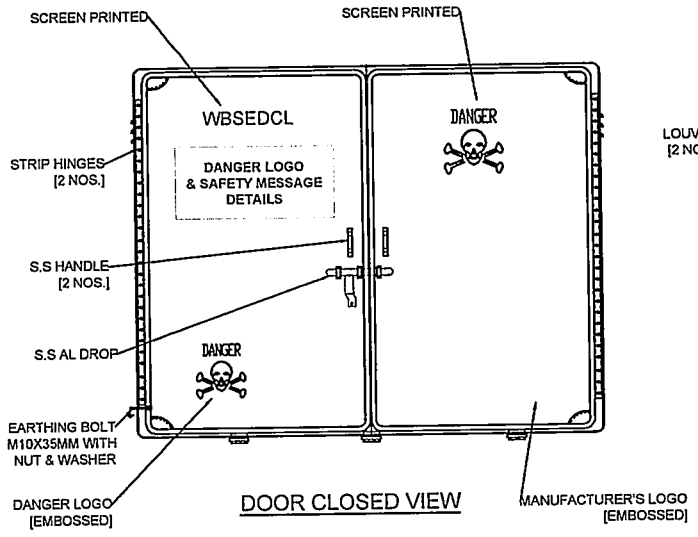
Name: Santanu Saha

Designation: DE& Divisional Manager

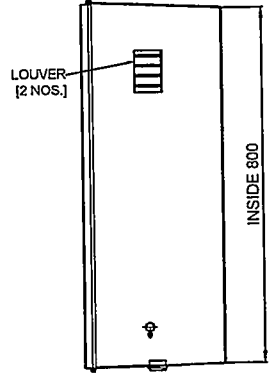
Office: Ghatal Division, WBSEDCL.

**D.E. & Divisional Manager
Ghatal Division
W.B.S.E.D.C. Ltd.**

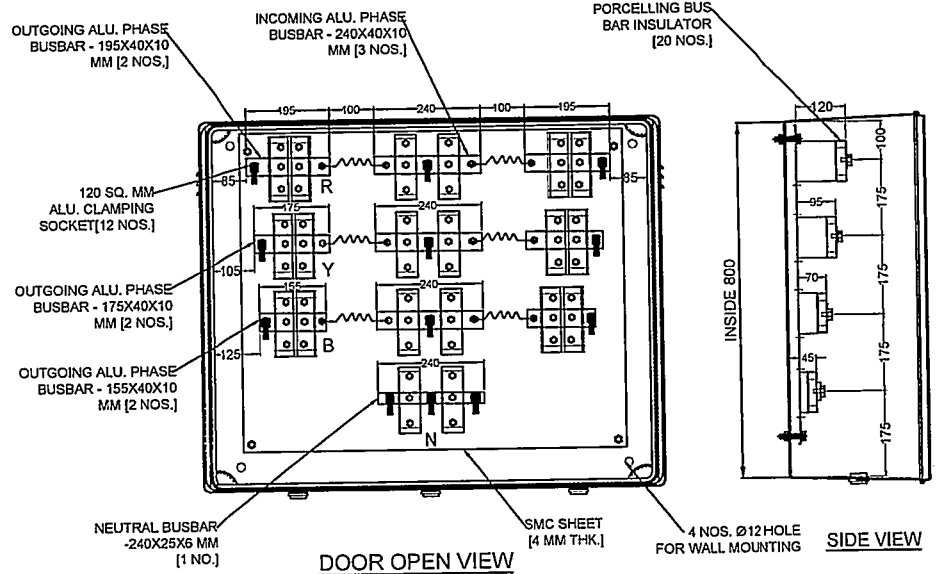
Registered Office: "Vidyut Bhavan", Bidhannagar, Block-DJ, Sector-II, Kolkata-700 091
Website: www.wbsedcl.in



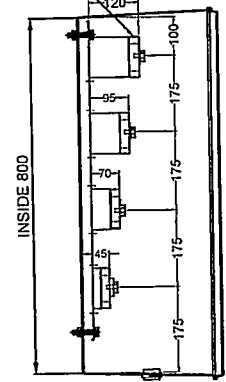
DOOR CLOSED VIEW



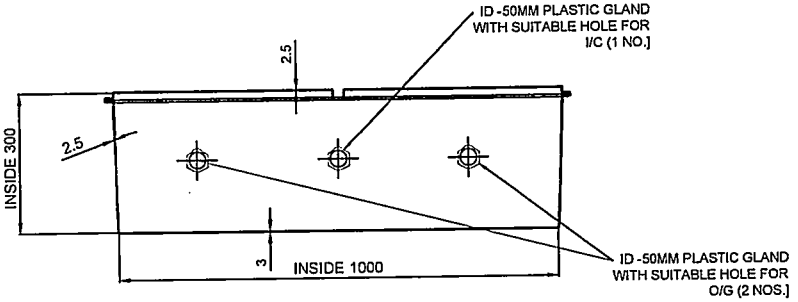
SIDE VIEW



DOOR OPEN VIEW



SIDE VIEW



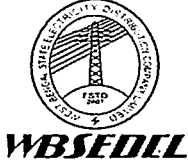
BOTTOM VIEW

NOTE:-

1. MADE OUT OF SHEET MOULDING COMPOUND (SMC) BY THE PROCESS OF HOT PRESS COMPRESSION MOULDING CONFIRMING TO IS: 13410:1992; GRADE - S3 & IS: 14772-2020
 2. SMC BASE OR COVER SHALL NOT SOFTEN OR BEND ON HEATING
 3. EACH DOOR FITTED TO BASE BY CONCEALED STRIP HINGES & DOOR CLOSING & SEALING U CLAMPS [S.S]
 4. INSIDE DIMENSIONS H- 800mm; W- 1000mm; D- 300mm
- THICKNESS OF BOX - OVERALL 2.5mm (Min)**
5. DEGREE OF PROTECTION IP-55
 6. COLOUR - OFF WHITE
 7. TYPE TEST REPORT MANDATORY

ALL DIMENSIONS ARE IN mm. TOLERANCE: ±5%	FINISH: AS PER DRAWING	Surface	Scale :- N.T.S.	Material: SMC	REV.NO-00
	Client :- WBSIEDCL			TITLE: SMC LT DISTRIBUTION KIOSK FOR 63/100 KVA TRANSFORMER	
Date			NAME		
State			Changes		
Date			Name		
Date			FileName		
					Page 01

West Bengal State Electricity Distribution Company Ltd.



(A Government of West Bengal Enterprise)
Office of The Divisional Manager: Ghatal Division.
Ward No: 11; Ghatal; Nischindipur; Paschim Medinipur
Telephone No: 03225-255-382; email-dmghatal@gmail.com
CIN No: U40109WB2007SGC113473

ANNEXURE-1

WEST BENGAL STATE ELECTRICITY DISTRIBUTION COMPANY LIMITED.

.....Division:.....

.....:PIN.....

LETTER HEAD OF BIDDER(AS ENROLLED ONLINE ON e-Tendering PORTAL OF NIC)

To
The Divisional Manager,
Ghatal Division
West Bengal State Electricity Distribution Co. Ltd,
Ghatal, Nischindipur,
District-Paschim Medinipur, Pin-721212.

Sub: Letter for submission of Bid for the work

.....
.....
.....

Ref: 1. NIT No....., Dated.....
2. Tender Id No.....

Dear Sir,

We offer to execute the work as per our offered bill of quantity in accordance with the conditions of the NIT document as available in the website. The details of the Bid Guarantee, cost of bid, Power of attorney & Undertaking being submitted by us in hard copies, which have been furnished on-line also.

This Bid and your subsequent Letter of Acceptance/ Work Order shall constitute a binding contract between us.

We hereby confirm our acceptance of all the terms and conditions of the NIT document unconditionally.

Thanking You,

Yours faithfully,

.....
.....

Registered Office: "Vidyut Bhavan", Bidhannagar, Block-DJ, Sector-II, Kolkata-700 091
Website: www.wbsedcl.in

West Bengal State Electricity Distribution Company Ltd.



(A Government of West Bengal Enterprise)
Office of The Divisional Manager: Ghatal Division.
Ward No: 11; Ghatal; Nischindipur; Paschim Medinipur
Telephone No: 03225-255-382; email-dmghatal@gmail.com
CIN No: U40109WB2007SGC113473

ANNEXURE-2

PROFORMA FOR UNDERTAKING TO BE SUBMITTED BY THE BIDDER

(For genuineness of the information furnished on-line and authenticity of the documents produced before Tender Committee for verification in support of his eligibility)

I, _____, Partner/Legal Attorney/
Accredited

Representative of M/S _____, solemnly declare
that:

1. We are submitting Tender for the Work _____ Against Tender

Notice No. _____ dt _____

2. None of the Partners of our firm is relative of employee of
(Name of the Company)

3. All information furnished by us in respect of fulfillment of eligibility criteria and qualification information of this Tender is complete, correct and true.

4. All documents/ credentials submitted along with this Tender are genuine, authentic, true and valid.

5. If any information and document submitted is found to be false/ incorrect any time, department may cancel my Tender and action as deemed fit may be taken against us, including termination of the contract, forfeiture of all dues including Earnest Money and banning/ delisting of our firm and all partners of the firm etc.

Signature of the Tenderer

Dated _____

Registered Office: "Vidyut Bhavan", Bidhannagar, Block-DJ, Sector-II, Kolkata-700 091
Website: www.wbsedcl.in

West Bengal State Electricity Distribution Company Ltd.



WBSEDCL

(A Government of West Bengal Enterprise)

Office of The Divisional Manager: Ghatal Division.

Ward No: 11; Ghatal; Nischindipur; Paschim Medinipur

Telephone No: 03225-255-382; email-dmghatal@gmail.com

CIN No: U40109WB2007SGC113473

ANNEXURE-3

Memo No:

Date:

FORMAT FOR FURNISHING GST RATE AND HSN/SAC CODE FOR THE BIDDING ITEM.

Sl. No	Description of Articles	HSN/SAC Code against Item	GST Rate against Item(%)
1.	LT DISTRIBUTION KIOSK FOR 100 KVA TRNF		

Registered Office: "Vidyut Bhavan", Bidhannagar, Block-DJ, Sector-II, Kolkata-700 091

Website: www.wbsedcl.in

West Bengal State Electricity Distribution Company Ltd.



WBSEDCL

(A Government of West Bengal Enterprise)

Office of The Divisional Manager: Ghatal Division.

Ward No: 11; Ghatal; Nischindipur; Paschim Medinipur

Telephone No: 03225-255-382; email-dmghatal@gmail.com

CIN No: U40109WB2007SGC113473

Annexure – 4

Declaration/Information regarding any Past and Current Litigation with WBSEDCL/WBSETCL/Govt./PSU

I, solemnly declare that we do not have any kind of current or past litigation records with WBSEDCL/WBSETCL/Govt./PSU. it is true and best for knowledge

Signature of the Tenderer

Dated.....

Note: IF there are any litigation details must be furnished.

Registered Office: "Vidyut Bhavan", Bidhannagar, Block-DJ, Sector-II, Kolkata-700 091
Website: www.wbsedcl.in